

## Dual Encoder & Modulator with BISS



- 1 A/V to DVB-T RF converting
- 2 Multiple encoding modules available
- 3 USB for TS recording, playback & upgrade
- 4 IP out over UDP, ASI out

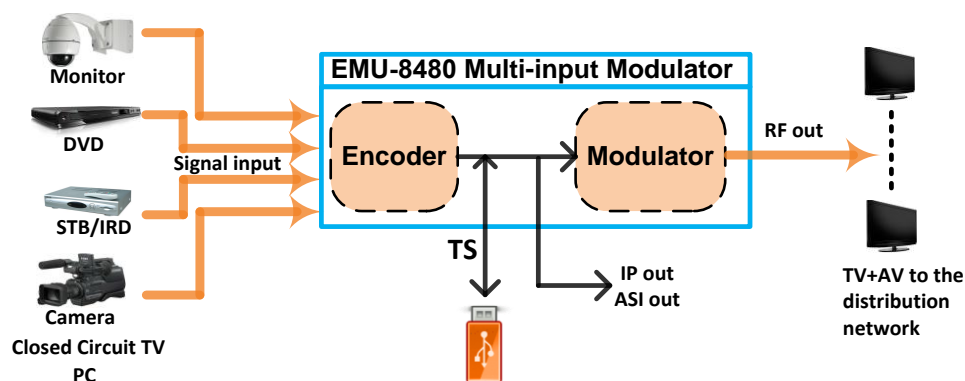


**USB Port for TS recoding, playback and system upgrade**

### Key Features

- 1 HDMI/YPbPr/CVBS input and 1 HD-SDI input, pluggable and changeable
- DVB-T RF output
- Support IP output over UDP, ASI output
- USB port for TS recording, playback and system upgrade
- Support BISS Scrambling
- Support LCD display and keyboard
- Support Web management, Updates via web and USB

### System Connection:





# USB Recoder & Player



### TS Recorder and Save:

EMU-8480 can output the source video to \*.ts and save them through the USB flash drive.

- Connect the signal source to EMU-8480 and start encoding process.

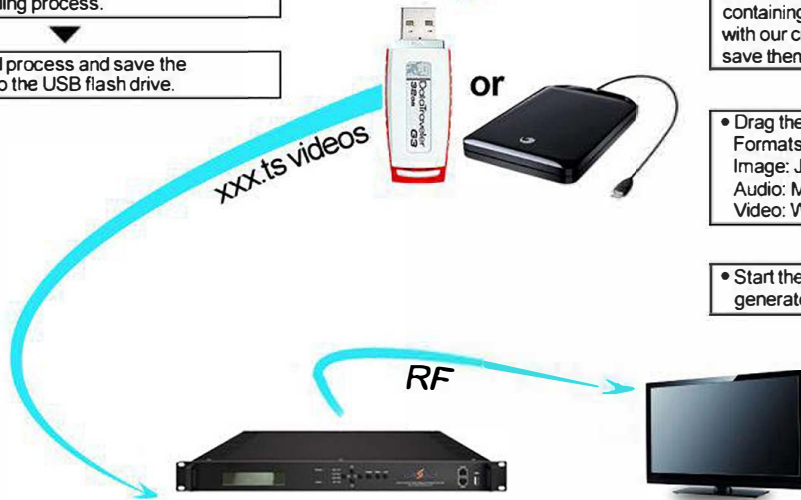
- Start the record process and save the TS generated to the USB flash drive.

### \*.ts Video Creation Software:

Users can also create \*.ts videos containing pictures, videos and music with our creator software on a PC and save them into the USB flash drive.

- Drag the files to "Creator" application.  
Formats supported include:  
Image: JPG, PNG, BMP, GIF  
Audio: MP3, WAV  
Video: WMV, MPG, MP4, TS, AVI...

- Start the conversion process to generate \*.ts videos



### TS Playback:

- Insert the USB flash drive with \*.ts videos in EMU-8480 and play back the content in an easy way.

- A single video can be up to 4G in size and multi videos can be played on a loop.




USB Flash Drive Specifications Required: High Speed 2.0; File System FAT32

## Specifications

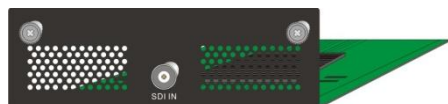
### HDMI/YPbPr/CVBS

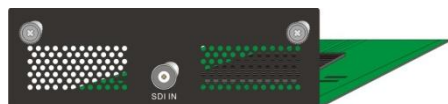
### 3-in-1 HD Module



<div style="display: flex; flex-direction: column; align-items: center;"> <div style="margin-bottom: 10px;"><b>HDMI/YPbPr/CVBS</b></div> <div style="margin-bottom: 10px;"><b>3-in-1 HD Module</b></div>  </div>	<b>Video (HDMI)</b>	Encoding	MPEG2 and MPEG4 AVC/H.264
		Input	HDMI*1
		Bitrate	1-19.5Mbps
		Resolution	1920*1080_60P, 1920*1080_50P, -for MPEG4 AVC/H.264 only) 1920*1080_60i, 1920*1080_50i, 1280*720_60p, 1280*720_50P
		Low Delay	Normal, Mode 1, Mode 2
		Rate Control	VBR/CBR
		Chroma	4:2:0
		Aspect Ratio	16:9,4:3
	<b>Audio (HDMI)</b>	Encoding	MPEG1 Layer II ,MPEG2-AAC, MPEG4-AAC
		Input	HDMI*1
		Sample rate	48KHz
		Bitrate	64/96/128/ 192/256/320kbps
	<b>Video (YpbPr/ CVBS)</b>	Encoding	MPEG2; MPEG4 AVC/H.264
		Input	YpbPr*1 / CVBS *1
		Bitrate	1-19.5Mbps
		Resolution	<b>CVBS:</b> 720x576_50i (PAL); 720x480_60i (NTSC) <b>YpbPr:</b> 1920*1080_60i, 1920*1080_50i; 1280*720_60p, 1280*720_50P
Low Delay		Normal, Mode 1, Mode 2	
Rate Control		VBR/CBR	
Chroma		4:2:0	
Aspect Ratio		16:9,4:3	
<b>Audio (L/R)</b>	Encoding	MPEG1 Layer II; MPEG2-AAC; MPEG4-AAC	
	Interface	1*Stereo/2*mono	
	Sample rate	48KHz	
	Bit rate	64/96/128/ 192/256/320kbps	

### HD-SDI Module



<div style="display: flex; flex-direction: column; align-items: center;"> <div style="margin-bottom: 10px;"><b>HD-SDI Module</b></div>  </div>	<b>Video</b>	Encoding	MPEG2; MPEG4 AVC/H.264
		Input	HD-SDI*1
		Bitrate	1-19.5Mbps
		Resolution	1920*1080_60P, 1920*1080_50P, (-for MPEG4 AVC/H.264 only) 1920*1080_60i, 1920*1080_50i, 1280*720_60p, 1280*720_50P 720*480_60i, 720*576_50i
		Low Delay	Normal, Mode 1, Mode 2
		Rate Control	VBR/CBR
		Chroma	4:2:0
		Aspect Ratio	16:9,4:3
	<b>Audio</b>	Encoding	MPEG1 Layer II ,MPEG2-AAC, MPEG4-AAC
		Sample rate	48KHz
		Bitrate	64/96/128/ 192/256/320kbps

<b>Modulator Section</b>	<b>DVB-T Standard</b>	Standard	DVB-T COFDM
		Bandwidth	6M, 7M, 8M
		Constellation	QPSK, 16QAM, 64QAM
		Code rate	1/2, 2/3, 3/4, 5/6, 7/8.
		Guard Interval	1/32, 1/16, 1/8, 1/4
		Transmission Mode	2K, 8K
		MER	≥40dB
		RF frequency	30~960MHz, 1KHz step
		RF output level	-30~ -10dbm (77~97 dbμV), 0.1db step
<b>BISS Scrambling</b>	Mode 1, Mode E, Mode 0 (Up to 64Mbps)		

<b>General</b>	<b>System</b>	Local interface	LCD + control buttons
		Remote management	Web NMS
		Stream Out	IP over UDP out (RJ45, 1000M); 2 groups of ASI Out
		NMS interface	RJ45, 100M
		Language	English
	<b>Physical Specs</b>	Power supply	AC 100V~240V
		Dimensions	482*300*44mm
		Weight	4.5 kg
		Operation temperature	0~45℃