

## 4 or 8x HDMI or HD/SDI Encoder & Multiplexer with ASI & IP Output



- 4 or 8x HD-SDI/SD-SDI video inputs
- ASI input to add encoded TV Services to an existing TS
- 4 or 8 SPTS and 1 MPTS output
- 2 parallel ASI outputs as copy of the MPTS
- Broadcast quality
- Supports MPEG4 AVC/H.264 video encoding format
- Supports MPEG1 Layer II, LC-AAC and HE-AAC (V2) audio encoding formats
- Gigabit Ethernet IP output over UDP and RTP/RTSP, 4/8x SPTS + 1 MPTS
- Ultra low bit rate encoding.
- Null PKT Filter function
- PID Remapping
- PCR accurate adjusting
- Real-time output bit-rate monitoring.
- PSI/SI editing Control via web management
- Management via WEB-IF or Front Panel, easy updating by web-interface

### BLANKOM EMU-4230/ EMU-8230 series:

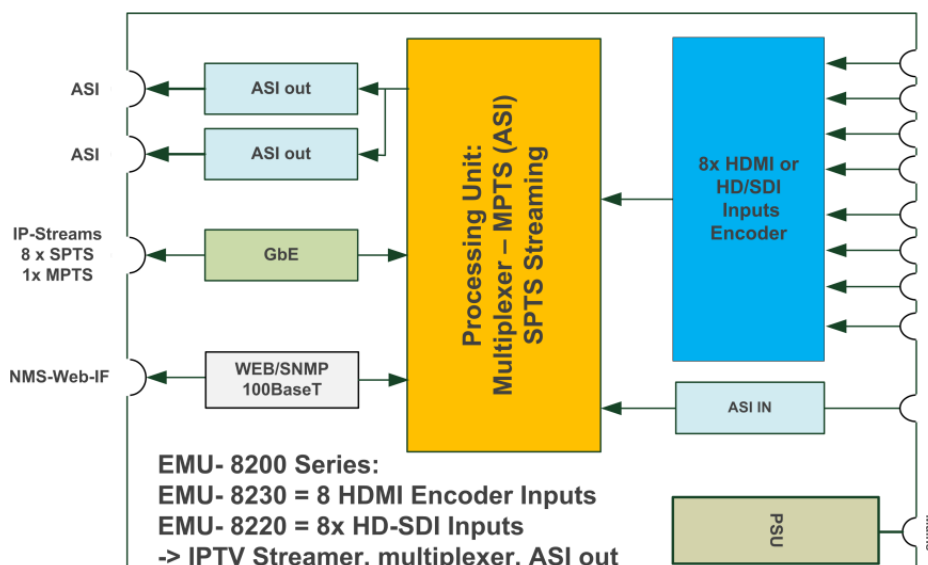
4-in-1 or 8-in-1 H.264 HD Encoder is our professional SD and HD audio & video encoding and multiplexing device with powerful functionality.

4 or 8 independent channels of HDMI input interfaces.

It supports H.264 video encoding and MPEG-1 Audio layer 2 audio encoding (LC-AAC and HE-AAC (V2) optional). Its each channel can reach an ultra low bit-rate.

Moreover, it has an ASI input and can multiplex the input TS with the 4/8 encoded SPTS to generate an MPTS output.

*BLANKOM EMU-4230/EMU-8230 encoder accepts 4 or 8 channels digital HD and SD video and audio signals. Video encoding format is H.264. Output: ASI and IP simultaneously in broadcast quality.*



Technical specifications:

Function	H.264 Encoder & Multiplexer with 4 or 8x HDMI input, ASI and IP output
INPUT	
Video & Audio	4x (EMU-4230) or 8x (EMU-8230) HDMI input with embedded audio 1 ASI input, BNC interface
VIDEO	
Resolution	1920×1080_60P, 1920×1080_50P, 1920×1080_60i, 1920×1080_50i, 1280×720_60P, 1280×720_50P, 720×576_50i, 720×480_60i
Encoding	H.264 / MPEG-4 AVC
Bitrate	0.8...19 Mbps
Rate Control	CBR/VBR
GOP Structure	IBBP
Advanced Pretreatment	De-interlacing, noise reduction, sharpening
Low delay	50-500 ms available
AUDIO	
Encoding	MPEG-1 Audio layer 2 audio encoding (LC-AAC and HE-AAC (V2) optional)
Sampling rate	48 kHz
Bitrate	64 kbps ... 384 kbps (each channel)
Audio gain	0-400
MULTIPLEXING	1 ASI input multiplexed with local 8 channels of TS
OUTPUT	
ASI	2-way ASI output, BNC interface
IP	MPTS / 8 SPTS over UDP, 10/100 Base-T Ethernet interface (UDP unicast / multicast)
SYSTEM	
Control	LCD/keyboard, Management via WEB-IF or Front Panel, easy updating by web-interface, English menu.
GENERAL	
Dimensions	440mm × 410mm × 44.5mm, 19" 1U, 4 kg
Power	AC 110V±10%,50/60Hz or AC 220V±10%, 50/60Hz, Consumption: 25 W
Temperature	0...45°C (operation), -20...80°C (storage)

Corresponding products:

- HDM-4220C Encoder Modulator:



- HDC-5016 IP to QAM:

