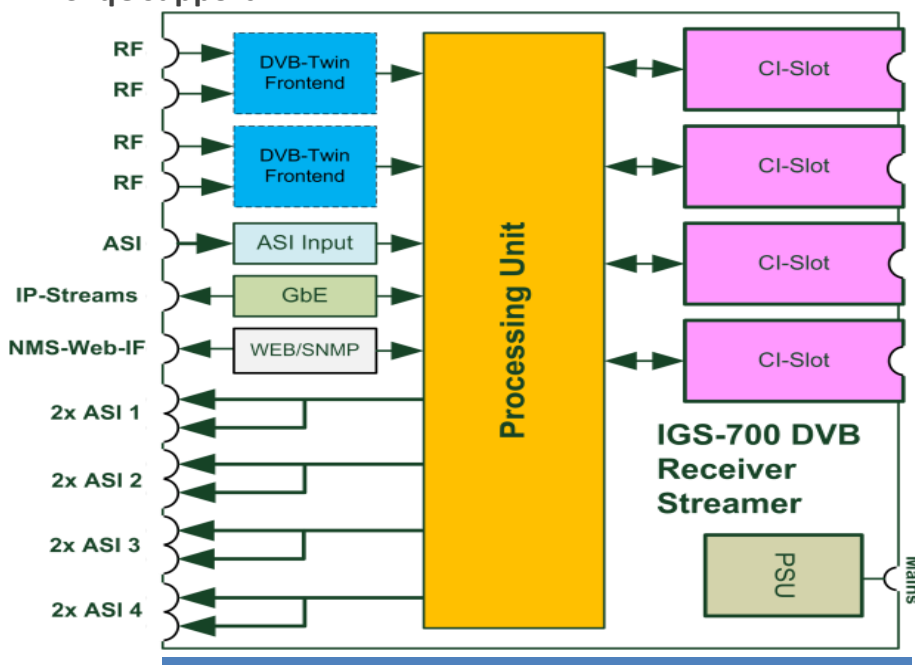


# DVB to IP Gateway



- 4 Tuner inputs DVB-S/S2x (DVB-C, DVB-T/T2 Optional).
- 1 ASI & 4 MPTS IP (UDP) input.
- 4x CI slots for multi-service decryption of RF/ASI/IP
- IP output (48 SPTS, 4 MPTS) as UDP and/or RTP / RTSP
- 4 groups of independent ASI out for tuner/IP pass-through
- Supports maximum 128 PID re-mappings per input
- LCD display, front panel key-pad, configuration via web interface
- DiSEqC support



*BLANKKOM IGS-700 DVB/IP gateway supports 48 SPTS and 4 MPTS IP*

*Additional services such as IP input (4x MPTS) and 1x ASI can be combined or re-multiplexed.*

*Each input can be decrypted with a multi-service decryption (MSD) using a CA module (up to 4 CI slots).*

BLANKKOM IGS-700 is a DVB/IP Gateway, with four DVB-S/S2x tuners (DVB-C, DVB-T/T2 optional), descrambling and demultiplexing functions in one unit to convert RF signals into ASI/SPTS/MPTS outputs.

The 1RU chassis supports 4 tuner inputs, 1 ASI and IP as well. The 4 CAM/CI slots independently can decrypt the programs coming from encrypted RF, ASI or IP. Multiservice decryption possible according to the used professional CAM versions.

To meet customers various requirements, IGS-700 is designed to de-mux programs from any input, from RF, ASI or IP.

Maximum outputs: Up to 48x SPTS and 4x MPTS streaming in UDP, RTP/RTSP.

## Technical specifications:

<b>INPUT</b>	
RF	4x RF DVB-S/S2x (DVB-C, DVB-T/T2 optional), F type 1xASI input for de-mux, BNC interface
IP	4x MPTS IP input for de-mux (UDP)
<b>TUNER</b>	
DVB-S	Input frequency: 950-2150 MHz Symbol rate: 2-45 Msps Signal strength: -65 -25 dBm Constellation: 1/2, 2/3, 3/4, 5/6, 7/8 QPSK
DVB-S2	Input frequency: 950-2150 MHz Symbol rate: QPSK 1-45 Msps, 8PSK 2-30 Msps Code rate: 1/2, 3/5, 2/3, 3/4, 4/5, 5/6, 8/9, 9/10 Constellation: QPSK, 8PSK
DVB-S2x	<b>Symbol rate:</b> QPSK/8PSK /16APSK :0,5...45 MSps; 8APSK: 0,5...40MSps 32APSK: 0,5...40MSps <b>FEC:</b> QPSK: 1/2, 3/5, 2/3, 3/4, 4/5, 5/6, 8/9, 9/10, 13/45, 9/20, 11/20 8PSK: 3/5, 2/3, 3/4, 5/6, 8/9, 9/10 8APSK: 5/9-L, 26/45-L 16APSK: 2/3, 3/4, 4/5, 5/6, 8/9, 9/10, 1/2-L, 8/15-L, 5/9-L, 26/45, 3/5, 3/5-L, 28/45, 23/36 , 2/3-L, 25/36, 13/18, 7/9, 77/90 32APSK: 3/4, 4/5, 5/6, 8/9, 2/3-L, 32/45, 11/15, 7/9
DVB-T/T2 (optional)	44 - 1002 MHz Bandwidth: 6, 7, 8 MHz
<b>OUTPUT</b>	
ASI	4 groups BNC interface, for RF or IP in passthrough (one-to-one)
IP	48x SPTS over UDP, RTP/RTSP. 1000M Base-T Ethernet interface (unicast/multicast) 4x MPTS over UDP, RTP/RTSP. 1000M Base-T Ethernet interface, for RF in passthrough (one-to-one)
<b>SYSTEM</b>	
Control	LCD/keyboard, network management (WEB NMS), English menu
Dimensions	482mm × 400mm × 44.5mm, 19" 1U, 3 kg
Power	AC 110V±10%,50/60Hz or AC 220V±10%, 50/60Hz
Temperature	0...45°C (operation)

### Corresponding products:

- Our complete range of 19" SAT-Multiswitches: Example BMS-1732K 4 SAT + 1 Terr -> 32 RF Out
- IPTV SetTopBox 6700+
- HDC-5004/-5016 IP to QAM Modulator 4/16 Channels DVB-C
- OmniscreenTV IPTV System
- Transcoder BTR-6000 up to 30 TV Services Transcoding and Remultiplexing