

Dual HD-SDI / HDMI-Encoder-DVB-Modulator

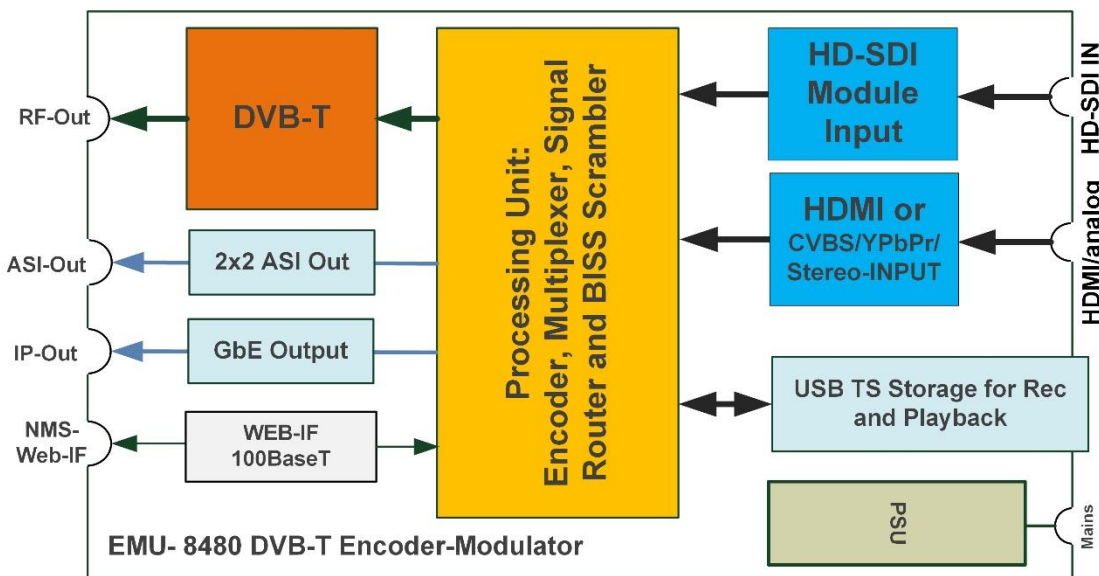


EMU-8480 with 2 modules: HDMI/CVBS/YPbPr & HD-SDI



- 1 HDMI/YPbPr/CVBS input and 1 HD-SDI input, pluggable
- The modules can be individually chosen and mixed
- DVB-T RF output
- GbE IP output over UDP (MPTS)
- 2x2 ASI outputs (indep.)
- USB 2.0 FAT32 port for TS recording, playback & upgrade
- BISS Scrambling: ASI & IP-Output (MPTS) – not at RF-Out
- BISS encryption *Mode 1* and *Mode E*
- Web Interface and front panel LCD & Keypad control
- Update via Ethernet / WebIF
- LCD display and Keypad
- A perfect individual Information Channel providing unit

BLANKOM® IPTV Headend Technology

This modular Encoder & Modulator is an integrated device with exchangeable modules. The ASI Output can be used to pass the multiplex to another modulator. The default RF modulator is DVB-T. The signal source could be from Cameras, Blue-ray players ... etc. An inbuilt Web-Interface by a RJ-45 Ethernet Port allows an easy configuration in an IP-Environment. Carefully protect your content with its BISS scrambling function. Transportstreams can be recorded (max. 4GB) and played in a loop as Info-Channels. This unit is especially designed to encode programs and modulate to CATV Networks and in parallel to IP-Networks.



TECHNICAL SPECIFICATIONS

HDMI/YPbPr/CVBS 3-in-1 Module		Video (HDMI)	Encoding	MPEG2 and MPEG4 AVC/H.264
				
Input	HDMI or CVBS/YPbPr + Stereo Audio			
Bitrate	1-19.5Mbps			
Resolution	1920x 1080@ 60P, 1920x 1080@ 50P, (-for MPEG4 AVC/H.264 only) 1920x 1080@ 60i, 1920x 1080@ 50i, 1280x 720@ 60p, 1280x 720@ 50P			
Low Latency set	Normal, Mode 1, Mode 2			
Encoding Rate Control	VBR/CBR			
Chroma	4:2:0			
Aspect Ratio	16:9,4:3			
Audio (HDMI)	Encoding	MPEG1 Layer II ,MPEG2-AAC, MPEG4-AAC		
Input	HDMIx 1			
Sample rate	48KHz			
Bitrate	64/96/128/ 192/256/320kbps			
Video (YpbPr/ CVBS)	Encoding	MPEG2; MPEG4 AVC/H.264		
Input	YpbPrx 1 / CVBS x 1			
Bitrate	1-19.5Mbps			
Resolution	CVBS: 720x576@ 50i (PAL); 720x480@ 60i (NTSC) YpbPr: 1920x 1080@ 60i, 1920x 1080@ 50i; 1280x 720@ 60p, 1280x 720@ 50P			
Low Delay	Normal, Mode 1, Mode 2			
Rate Control	VBR/CBR			
Chroma	4:2:0			
Aspect Ratio	16:9,4:3			
Audio (L/R)	Encoding	MPEG1 Layer II; MPEG2-AAC; MPEG4-AAC		
Interface	1x Stereo/2x Mono			
Sample rate	48KHz			
Bit rate	64/96/128/ 192/256/320kbps			
HD-SDI Module		Video (SDI)	Encoding	MPEG2 MPEG4 AVC/H.264
				
Input	HD-SDI			
Bitrate	1-19.5Mbps			
Resolution	1920x 1080@ 60P, 1920x 1080@ 50P, (-for MPEG4 AVC/H.264 only) 1920x 1080@ 60i, 1920x 1080@ 50i, 1280x 720@ 60p, 1280x 720@ 50P 720x 480@ 60i, 720x 576@ 50i			
Low Delay	Normal, Mode 1, Mode 2			
Rate Control	VBR/CBR			
Chroma	4:2:0			
Aspect Ratio	16:9,4:3			
Audio	Encoding	MPEG1 Layer II ,MPEG2-AAC, MPEG4-AAC		
Sample rate	48KHz			
Bitrate	64/96/128/ 192/256/320kbps			

Modulator		DVB-T COFDM	
Bandwidth		6M, 7M, 8M	
Constellation		QPSK, 16QAM, 64QAM	
Code rate		1/2, 2/3, 3/4, 5/6, 7/8	
Guard Interval		1/32, 1/16, 1/8, 1/4	
Transmission Mode		2K, 8K	
MER		≥ 40dB	
RF frequency		30... 960MHz, 1KHz step	
RF output level		-30... -10dbm (77... 97 dbμV), 0,1dB step	
BISS Scrambling		Mode 1, Mode E, Mode 0 (Up to 64Mbps)	
General	System	Local interface	LCD + Keypad control buttons
Remote management		Web Interface	
Stream Out		IP over UDP out (RJ45, 1000M), 2 groups of ASI Out	
Management interface		RJ45, 100Mb/s	
Language		English	
Physical Specs		Power supply	AC 100V...240V
Dimensions		482x300x44mm	
Weight		4,5 kg	
Operation temperature		0...45°C	

