

MPEG2 & h.264 AVC Broadcast Encoder



*HD-SDI, HDMI, CVBS, PbPr, XLR, IP inputs
ASI & IP TS outputs*

Features:

- MPEG-2 HD/SD and MPEG-4 AVC/H.264 HD/SD video encoding
- 1080I, 720P, 480I, 576I video resolution and downscaling
- ASI output and IP over UDP and RTP output
- Low latency mode
- MPEG1 Layer II, HE-AAC (v1&v2), LC-AAC and DD AC3 audio encoding
- Dolby Digital AC3 audio pass through (for SDI in)
- DD AC3 pass-through (for SDI and HDMI in)
- 2 stereo or 4 mono audio encoding
- Video buffer, selectable Video sources (all video interfaces available in parallel Inputs) seamless switch video sources
- Support TT/CC (closed caption-US norm), EIA 608 and EIA 708 (for CVBS and SDI in)
- Dual parallel ASI output and IP over UDP and RTP
- LCD / Keypad control and Web based management by RJ45 Ethernet port
- AD-Insertion: QR code, LOGO, OSD-text

MPEG-2/H.264 SD/HD Encoder is a broadcasting audio & video encoding device with powerful functionality.

Equipped with multiple and therefore flexible Video input interfaces (SDI, CVBS, YPbPr and HDMI) and Audio input interfaces (AES, BNC and XLR) to be compatible with different signal sources.

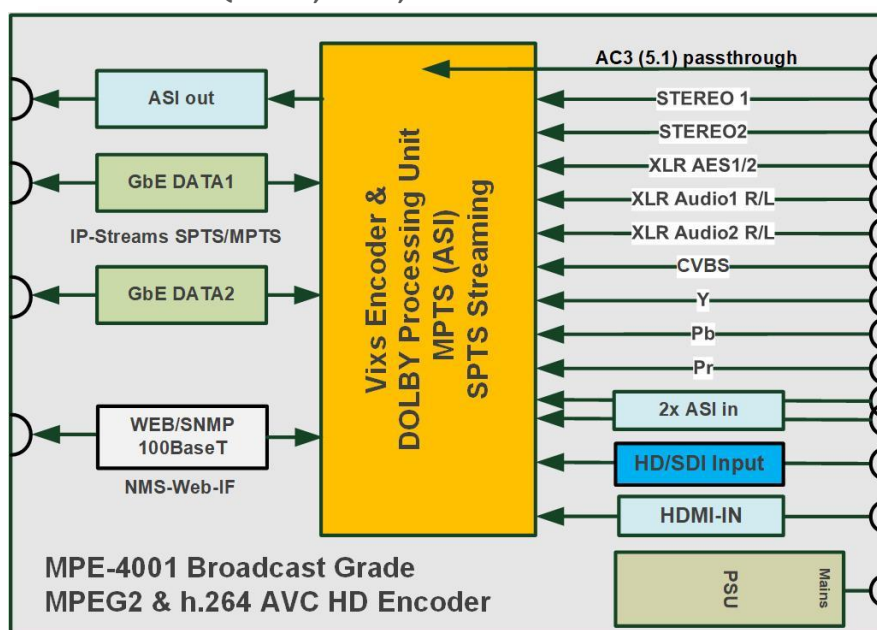
Multiple audio and video encoding formats are available to meet your flexible and various requirements.

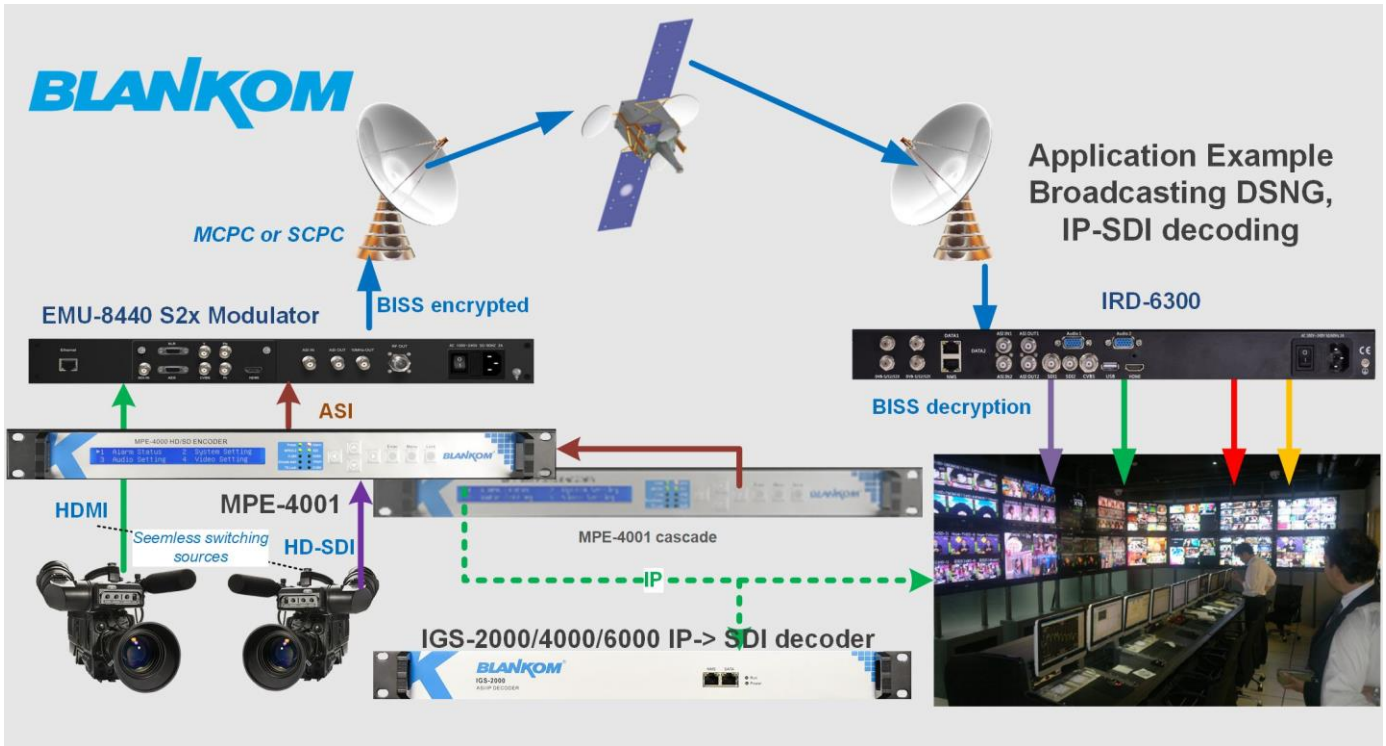
2 stereo (4 mono) or one DD (AC3) audio signals can be embedded to the TS stream output.

The encoded program will finally output in a DVB conform TS through 2 ASI and 1 IP port.

The MPE-4001 has an overlay insertion feature: QR code, LOGO and OSD-TEXT with 3 parallel overlay operations at the same time.

You can insert an advertisement picture, own LOGO, special QR code and/or OSD text content on top of the encoding process.





Technical Data:

Video	Interface	1xSDI, 1xYPbPr and 1xHDMI, 1xCVBS (for CC/TT)			
	Resolution	Input		Output	Interfaces
		1920x1080p@60/59.94		1920x1080p@60	
		1920x1080p@50		1920x1080p@50	HDMI, SDI, YPbPr
		1920x1080i@60/59.94		1920x1080i @60	
		1920x1080i@50		1920x1080i@50	
		1280x720p@60/59.94		1280x720p@60	
		1280x720p@50		1280x720p@50	
720x576i@50		720x576i@50	SDI, HDMI		
720x480i@60		720x480i@60			
Encoding	MPEG-2 HD/SD; MPEG-4 AVC/H.264 HD/SD	Bitrate Range	2.5 – 19.00 Mbps		
Rate Control	CBR/VBR (Encoding)	GOP Structure	IP, IBBP, IBBBP		
Aspect Ratio	4:3, 14:9 (for SD video), 16:9 (for HD video)	Chroma	4:2:0		
Advanced Pretreatment	De-interlacing, noise reduction, sharpening				
Audio	Interface	2x2xXLR, 2xAES, 2x2 BNC, 1xSDI (support maximum 2 stereos synchronous processing), 1xHDMI			
	Encoding	MPEG-1 Layer II, HE-AAC (v1&v2), LC-AAC, DD AC3 (2.0), DD AC3 pass-through (for SDI and HDMI in)			
	Sampling rate	48KHz	Resolution	24-bit	
	Bit-rate	32Kbps...384Kbps			
Low Latency options		150ms, 200ms, 350ms, 650ms depending on Resolution and S-Rates			
Stream output		1xASI output ports, BNC interface 2 IP (MPTS) over UDP / RTP /RTSP, 2x GbE with independent IP addresses (multicast/unicast)			
System function		LCD/Keypad and web management, Language: English, Ethernet based software updates			
General	Dimensions	482mm x 405mm x 44.5mm (W x D x H)			
	Weight	Approx. 4.0 Kg			
	Temperature	0...45°C(Operation), -20...8°C(Storage)			
	Power	AC110V ±10%, 50/60Hz; AC 220V ±10% , 50/60Hz			
	Consumption	21W			

Contact: IRENIS GmbH – Hauptstr. 29 - D-31171 Nordstemmen / Germany - info@blankom.de - www.blankom.de
Managing Director: Dipl.Ing. Murad Önol **Commercial Register:** HRB 206370 - District Court Hildesheim
Irenis-Direct Phone: +49 5069 48097 81