

## 24 Transponder DVB to IPTV Gateway



- Redesigned 2026 (V4=A): RF-Loop, Front-LCD/Keypad, 1 more ASI IN
- 24 Tuner inputs DVB-S/S2/S2x (DVB-C, -T/T2, -ISDB-Tb optional)
- 2 ASI input, 2 ASI outputs, IP stream input
- A-Version: IP 128 SPTS over UDP, RTP / RTSP output
- BISS 1/E embedded descrambling
- DiSEqC support for up to 4 Satellites
- 2 GbE output, up to 850 Mbps each (A: 128 SPTS)
- Accurate PCR adjusting (SPTS), manual set restamping
- PID filtering and re-mapping (SPTS), CA-Filter
- PSI/SI rebuilding and editing (SPTS)
- “Null PKT Filter” function, AIT selection to SPTS
- Dynamic PMT and EPG demuxer support (A-Version)
- USB-TS Record/Playback – Info channel streaming
- WEB-IF management

**BLANKOM IGS-924 A** is a DVB/IP Gateway, which has 24 DVB-S/S2x tuners (DVB-C, DVB-T/T2 optional) and de-multiplexing functions in 1RU chassis to convert RF signals into SPTS IPTV multicasts output.

SPTS can be selected with EIT parts and AIT parts. Additional equipped with 2 ASI input, 2x parallel ASI out

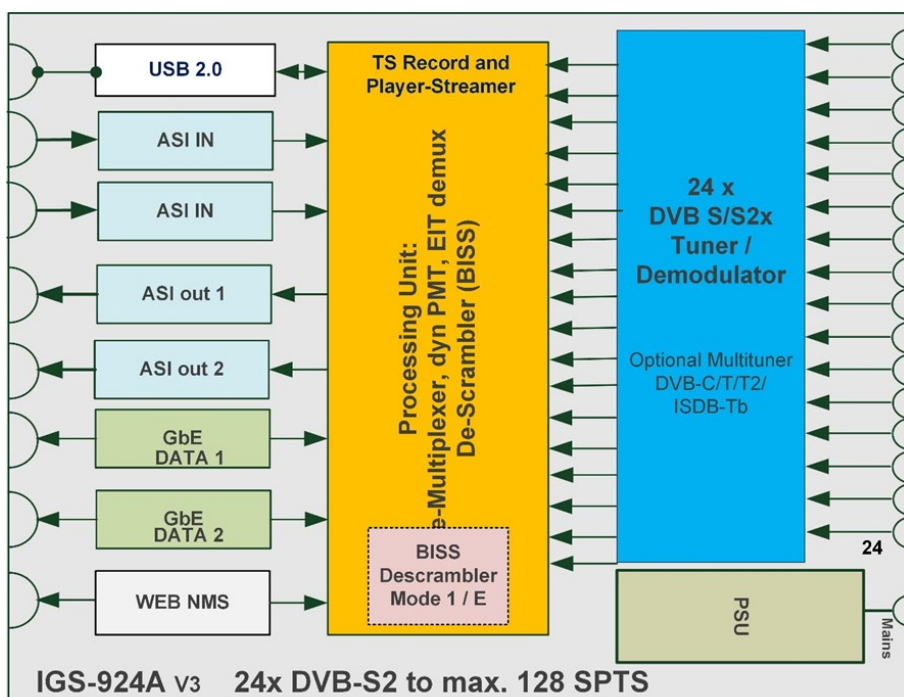
To meet customers various requirements, IGS-924A is designed to stream TV- and Radio-Channels from any input, RF and 2 ASI IN-Source.

Demultiplexing to up to 128 SPTS passing IPTV streams output on 2x GbE in UDP, RTP/RTSP with up to a total load of 2x 850 Mbps.

BISS descrambling function is built in. It has DiSEqC Support for selecting up to 4 different satellite positions.

CA Filter and PID-Remapping as well as PID excluding (depending on mode and model) IP-Input, AIT, EIT streaming

*BLANKOM IGS-924 DVB/IP gateway with  
24 FTA Tuner + 2 ASI + IP inputs  
with a total capacity of 128 SPTS or  
IPTV stream outputs*



**Technical specifications:**

<b>Input</b>		24 tuner inputs + 2x ASI in, TS rec/Player ->SPTS output, Rf-Loops			
<b>Tuner Section</b>	<i>Option: Multi-mode tuners</i>	DVB-C	Frequency In	60...890MHz	
			Standard	J.83A(DVB-C), J.83B, J.83C	
			Constellation	16/32/64/128/256 QAM	
		DVB-T/T2	Frequency In	60...890MHz	
			Bandwidth	6/7/8 M bandwidth	
		ISDB-T, ATSC	Frequency In	60...890MHz	
		<b>Satellite</b>	DVB-S	Frequency In	950...2150MHz
				Symbol rate	0.5...45Msps
				Signal Strength	-65... -25dBm
	FEC			1/2, 2/3, 3/4, 5/6, 7/8	
	Constellation			QPSK	
	Max input bitrate			≤ 125 Mbps	
	DVB-S2x		Frequency In	950...2150MHz	
			Symbol rate	QPSK/8PSK /16APSK :0.5...45 MSps 32APSK: 0.5...34MSps;	
			FEC	QPSK: 1/2, 3/5, 2/3, 3/4, 4/5, 5/6, 8/9, 9/10 8PSK: 3/5, 2/3, 3/4, 5/6, 8/9, 9/10 16APSK: 2/3, 3/4, 4/5, 5/6, 8/9, 9/10 32APSK: 3/4, 4/5, 5/6, 8/9, 9/10	
			Constellation	QPSK, 8PSK, 16APSK, 32APSK	
			Max input bitrate	≤ 125 Mbps	
			DVB-S2X	Frequency In	950...2150MHz
	Symbol rate			QPSK/8PSK /16APSK :0.5...45 MSps 8APSK: 0.5...40 MSps 32APSK: 0.5...34 MSps	
	FEC			QPSK: 1/2, 3/5, 2/3, 3/4, 4/5, 5/6, 8/9, 9/10, 13/45, 9/20, 11/20 8PSK: 3/5, 2/3, 3/4, 5/6, 8/9, 9/10 8APSK: 5/9-L, 26/45-L 16APSK: 2/3, 3/4, 4/5, 5/6, 8/9, 9/10, 1/2-L, 8/15-L, 5/9-L, 26/45, 3/5, 3/5-L, 28/45, 23/36, 2/3-L, 25/36, 13/18, 7/9, 77/90 32APSK: 3/4, 4/5, 5/6, 8/9, 9/10, 2/3-L, 32/45, 11/15, 7/9	
Constellation	QPSK, 8PSK, 8APSK, 16APSK, 32APSK				
Max input bitrate	≤125 Mbps				
<b>BISS Descrambling</b>	Mode 1, Mode E (Up to 850Mbps) (descrambling individual program's)				
<b>Output</b>	Unicast and Multicast <b>128 SPTS</b> IP output over UDP and RTP/RTSP protocol through GE1 & GE2 port (IP address and port number of GE1 and GE2 are independent)				
	2x ASI out (selectable SPTS)				
	TS-Recorder/Player-TS-file Streamer from connected USB-PEN/SSD				

<b>System</b>	Web-Server based management via 100BaseT port	
	software upgrade via Web-IF	
<b>Miscellaneous</b>	Dimension	482mm×230mm×44mm (W×L×H)
	Approx. weight	3.6kg
	Environment	0...45°C (working condition); -20...80°C (in Storage)
	Power requirements	100...240VAC, 50/60Hz
	Power consumption	20W

**IN Q2 2026 NOW A NEW REDESIGN AS IGS-924A HAS BEEN DONE TO MEET MODERN IPTV SYSTEM DEMANDS:**

**Changelog:** Different new features has been implemented but some former ones had to be disabled

- **NEW:** EIT demultiplexing and adding to the SPTS streams automatically
- **AIT selection mode:** The AIT's can be streamed along with the SPTS
- **No MPTS, but 2x ASI outputs selecting an SPTS each**
- **Instead of max 2x 512 Streams (and selectable MPTS with multiplexing) now just 128 SPTS outputs specialized for IPTV operations incl. dynamic PMT support (regional TV service separating) to DATA1**
- **No DVB-T/T2 over DVB-S2x Multistreaming support**
- **USB-TS recording feature and TS-file Info-Channel insertion/SPTS streaming single/playlist/loop**
- **Better Output TS Service selection divided into 8 parts (1-16 ... 113-128)**
- **Compatibility with Philips Pro-TV sets by CMND software**

**IPTV APPLICATION EXAMPLE**

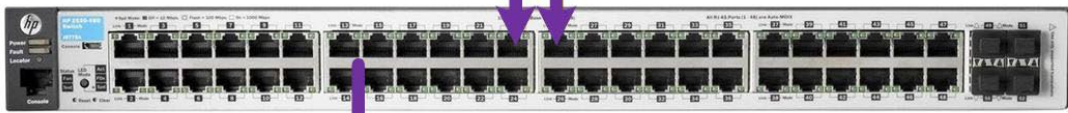


24 Transponder RF-IN



IGS-924A 24 Transponder to max 128 IPTV SPTS streamed channels

USB-TS-File-player as Info channel



Layer3 full IGMP Switch



DHCP-Router for the STB's or "Professional"-Hospitality TV's



Optional Middleware server



Layer 2+/3-Floor Switch IGMP-snooping, opt. SFP-IN



IPTV STB 6800+



ProTV by CMND



Digital Signage Player / STB