

## DVB to IP Gateway



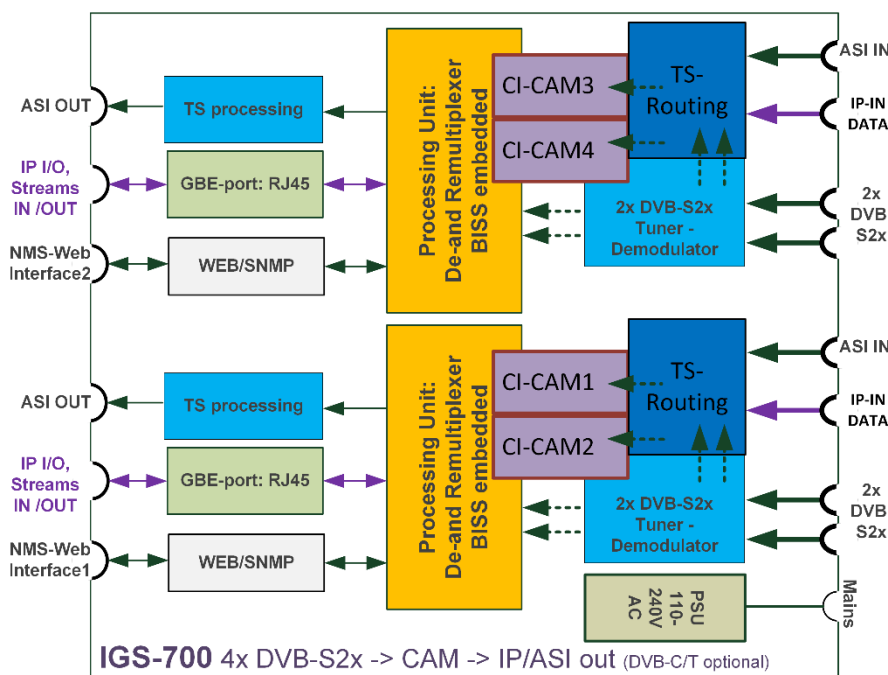
- 4(8) Tuner inputs DVB-S/S2x (DVB-C/T/T2 optional)
- 2x1 ASI & IP-Stream (UDP) inputs
- 2x2 CI slots for multi-service decryption of RF/ASI/IP
- IP output (32 SPTS, 2 MPTS) as UDP or RTP
- 2x independent ASI out for Re-mux or Tuner/IP pass-through
- Embedded BISS /BISS-E decryption
- Configuration via web interface
- DiSEqC support, **New: T2-Multistream support**

BLANKOM IGS-700/84 is a DVB/IP Gateway, with four DVB-S/S2x tuners (DVB-C, DVB-T/T2 optional), de-scrambling and de-multiplexing functions in one unit to convert RF signals into ASI/SPTS/MPTS outputs. T2-Multistream.

The 1RU chassis supports 4 tuner inputs, 1 ASI and IP as well. The 2x2 CAM/CI slots independently can decrypt the programs coming from encrypted TS by RF, ASI or IP. Multiservice decryption possible according to the used professional CAM versions.

To meet customers various requirements, IGS-700 is designed to de- and re-multiplex programs from any input, from RF, ASI or IP

Maximum outputs: Up to 32x SPTS and 2 MPTS streaming in UDP, RTP



*BLANKOM IGS-700 DVB/IP gateway supports 32 SPTS and 2 MPTS IP*

*Additional services such as IP input and 2x1 ASI can be combined or re-multiplexed. Each input can be decrypted with a multi-service decryption (MSD) using a CA module (up to 2x2 CI slots).*

## Technical specifications:

<b>INPUT</b>	<b>The standard version IGS-700 has 4 Tuners, extended has 8 Tuners (2x4)</b>
RF	2x2(4) RF DVB-S/S2x (DVB-C, DVB-T/T2 optional), F type 75 Ohm
	2xASI input for de- /re-mux, BNC interface
IP	Uni- and Multicast as MPTS/SPTS IP input for de-/re-mux
<b>TUNER</b>	
DVB-S	Input frequency: 950-2150 MHz Symbol rate: 2-45 Msps Signal strength: -65 -25 dBm Constellation: 1/2, 2/3, 3/4, 5/6, 7/8 QPSK
DVB-S2	Input frequency: 950-2150 MHz Symbol rate: QPSK 1-45 Msps, 8PSK 2-30 Msps Code rate: 1/2, 3/5, 2/3, 3/4, 4/5, 5/6, 8/9, 9/10 Constellation: QPSK, 8PSK
DVB-S2x	<b>Symbol rate:</b> QPSK/8PSK /16APSK :0,5...45 MSps; 8APSK: 0,5...40MSps 32APSK: 0,5...40MSps <b>FEC:</b> QPSK: 1/2, 3/5, 2/3, 3/4, 4/5, 5/6, 8/9, 9/10, 13/45, 9/20, 11/20 8PSK: 3/5, 2/3, 3/4, 5/6, 8/9, 9/10 8APSK: 5/9-L, 26/45-L 16APSK: 2/3, 3/4, 4/5, 5/6, 8/9, 9/10, 1/2-L, 8/15-L, 5/9-L, 26/45, 3/5, 3/5-L, 28/45, 23/36 , 2/3-L, 25/36, 13/18, 7/9, 77/90 32APSK: 3/4, 4/5, 5/6, 8/9, 2/3-L, 32/45, 11/15, 7/9
DVB-C/T/T2 (optional)	44 - 1002 MHz Bandwidth: 6, 7, 8 MHz
Decryption	by 2x2 CI slots and embedded BISS Mode1/E multiple TS rates adjustable for different CI-Module usage
<b>OUTPUT</b>	New: T2-Multistream from SAT Transponder supported
ASI	2x BNC interface, for Mux -or passthrough
IP	2x2x 16 SPTS over UDP, RTP 2x 1000M Base-T Ethernet interface (unicast/multicast) 2x MPTS over UDP, RTP
<b>SYSTEM</b>	
Control	Network Management (WEB NMS), English menu
Dimensions	482mm × 300mm × 44.5mm, 19" 1U, 3 kg
Power	AC 110V±10%,50/60Hz or AC 220V±10%, 50/60Hz
Temperature	0...45°C (operation)

## Corresponding products:

- Our complete range of 19" SAT-Multiswitches: Example BMS-1732K 4 SAT + 1 Terr -> 32 RF Out
- IPTV SetTopBox 6800+, M15 IPTV STB (39,90 € Omniscreen h.264 FHD HD/SD MPEG2 UDP-box)
- HDC-5004/-5016-/5032 IP to QAM Modulator 4/16/32 Channels DVB-C
- OmniscreenTV IPTV Middleware System with M15 or Amino STBs

## Available as IGS-700/84 Version with 8 Tuner Inputs and 4 CI Slots:

