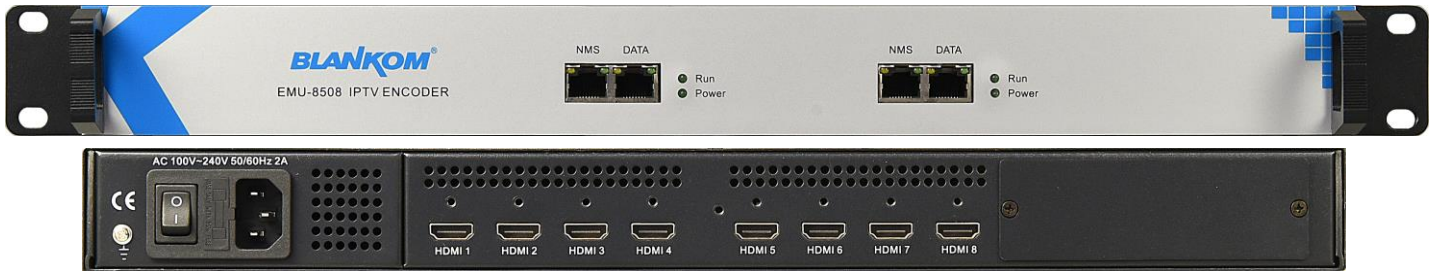


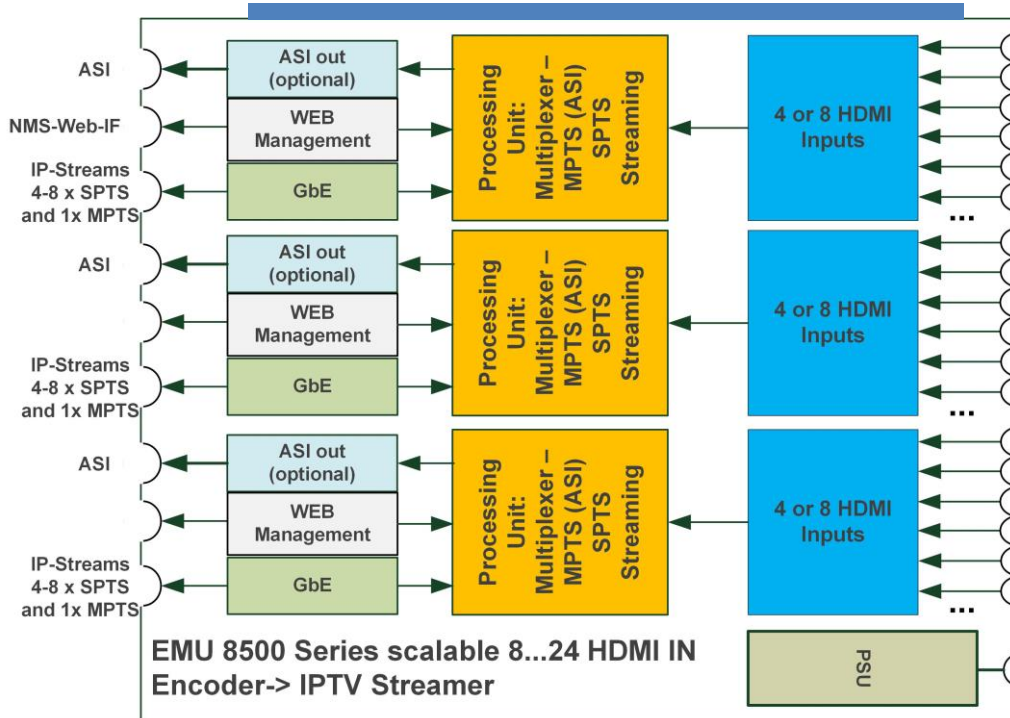
IPTV Encoder with 8/16/24 Inputs



Example EMU-8508 with 2 Modules and 2x4=8 HDMI Inputs

- 8 HDMI* input, 8 SPTS IPTV and 1 MPTS output (EMU 8508)
- 12 HDMI* input, 12 SPTS IPTV and 1 MPTS output (EMU 8512)
- 16 HDMI* input, 16 SPTS IPTV and 1 MPTS output (EMU 8516)
- 24 HDMI* input, 24 SPTS IPTV and 1 MPTS output (EMU 8524)
- 1 ASI output (optional) (Copy of the MPTS)
- On-Screen Graphics, Scrolling Text, QR Code insertion
- Accurate PCR adjusting
- PID filtering and re-mapping
- PSI/SI rebuilding and editing
- “Null PKT Filter” function
- Remote control by a modern Web based management
- Updates via Web-interface

*8 ... 24 HDMI input IPTV Encoder
with Text or Graphic Logo-Insertion*



BLANKOM EMU 8500 series:
MPEG4 AVC/H.264 HD IP Encoder is a professional HD audio & video encoding and multiplexing device. Input: 8 ... 24 HDMI compatible Video input interfaces, supporting MPEG-4 Video encoding and MPEG 1 Layer 2 audio encoding.

This very compact Encoder simultaneously encodes up to 8 ... 24 HDMI compatible HD Audio & Video channels to IP output as a multiplexed 1 MPTS and 8 ... 24 SPTS IP SPTS output streams as UDP/RTP Multicast. Every encoded Video-picture can be added with Text, Graphic or QR-code overlays. High integrated and cost effective design fits perfect into widely use cases in varieties of digital distribution systems such as cable TV digital head-end, satellite digital TV broadcasting etc.

Technical specifications:

| | | | |
|------------------------|---|---|---|
| Input | 8 / 12/ 16 / 24 HDMI compatible inputs | | |
| Video | Resolution | input | 1920×1080_60P, 1920×1080_60i, 1920×1080_50P, 1920×1080_50i, 1280×720_60P, 1280×720_50P, 720×576_50i, 720×480_60i, |
| | | output | 1920×1080_30P, 1920×1080_25P, 1280×720_30P, 1280×720_25P, 720×576_25P, 720×480_30P, |
| | Encoding | MPEG-4 AVC/H.264 or h.265 HEVC | |
| | Bitrate | 1Mbps...13Mbps each channel | |
| | Encoding Rate Control | CBR/VBR | |
| | GOP Structure | IP...P (P Frame adjustment, without B Frame) | |
| Audio | Encoding | MPEG-1 Layer 2, LC-AAC, HE-AAC and AC3 Pass through | |
| | Sampling rate | 48KHz | |
| | Resolution | 24-bit | |
| | Audio Gain adjustable | 0...255 | |
| | HE-AAC Bitrate | 48/56/64/80/96/112/128 kbps | |
| | LC-AAC Bitrate | 48/56/64/80/96/112/128/160/192/224/256/320/384 kbps | |
| | MPEG-1 Layer 2 Bitrate | 48/56/64/80/96/112/128/160/192/224/256/320/384 kbps | |
| Multiplexing | Maximum PID Remapping | 180 input per channel | |
| | Function | PID remapping (automatically or manually) | |
| | | PCR adjusting | |
| | | Generation of PSI/SI table automatically | |
| Stream output | 8 SPTS (8/12/16/24 SPTS) IP and 1MPTS output over UDP/RTP, 1x 1000Base-T Ethernet interface ASI output (optional) as copy of the multiplexed MPTS | | |
| System function | Network management (WEB-IF) | | |
| | English language menu | | |
| | Firmware upgrade by Web-Browser | | |
| Miscellaneous | Dimension(W×L×H) | 482mm×410mm×44mm * | |
| | Approx weight | 8kg * | |
| | Environmental cond. | 0...45°C (work) ; -20...80°C (Storage) | |
| | Power requirements | AC 110V± 10%, 50/60Hz, AC 220 ± 10%, 50/60Hz | |
| | Power consumption | 70W * | |

*) depending on Model

Corresponding products:

- IP to 16 QAM DVB-C Modulator HDC-5016
- HDC-5004 IP to QAM Modulator with remuxed TV services i.e. for hospitality content addons to existing networks
- Digital Signage: IP Decoder HDD-275
- IPTV Middleware Server OMNISCREENTV + SetTopBoxes or Hospitality TV Sets from tested vendors
- BLANKOM IPTV STB: 6800+
- OmniscreenTV STB M15 (h.264/MPEG2, FullHD, Multicast UDP only)