

MPEG2 & h.264 AVC Broadcast Encoder



Features:

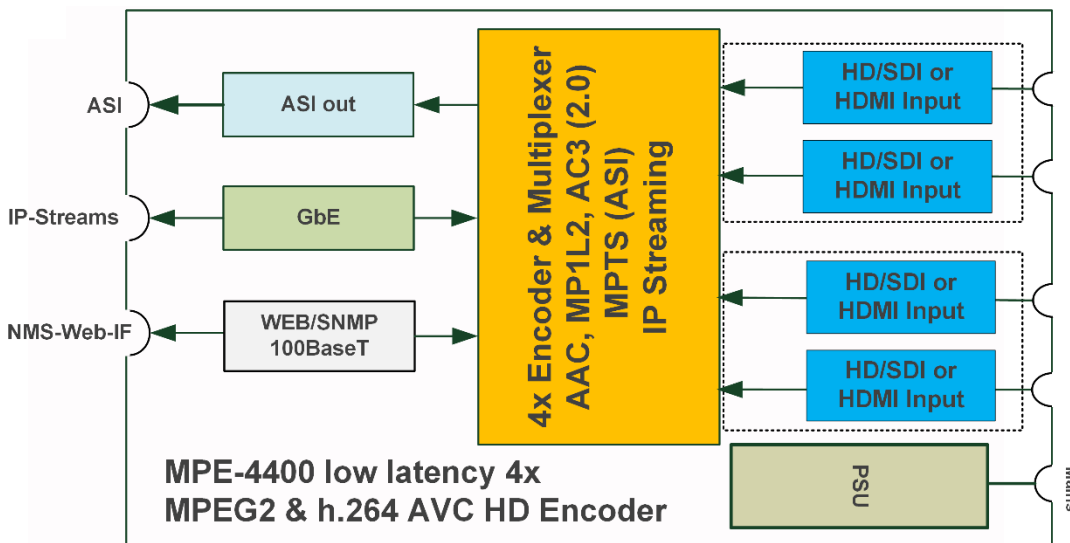
- MPEG-2 HD/SD and MPEG-4 AVC/H.264 HD/SD video encoding
- 1080p, 720P, 480i, 576i video resolution and downscaling
- Low latency
- Modules can be mixed 2/2
- MPEG1 Layer II, HE-AAC (v1 & v2), LC-AAC and DD AC3 2.0 audio encoding and adjustment
- Support Volume normalization (for AC3)
- Dual parallel ASI output and IP as MPTS and 4 SPTS, UDP & RTP
- LCD / Keypad control and Web based management by Ethernet port
- Dual power supply
- VBR/CBR encoding rate control mode
- PSI/SI editing and inserting
- IP Zero packet filter (PID 8191dec)

MPE-4400:

MPEG-2/H.264 SD/HD 4x Encoder is a broadcasting audio & video encoding device with powerful functionality. Equipped with 2 Modules 2x 2x HD-SDI or 2x 2x HDMI or mix of.

Multiple audio and video encoding formats are available to meet your flexible and various requirements. AC3 (2.0) can be processed as well.

The encoded program will finally output in a DVB conform TS through 2 parallel ASI and 1 IP port: MPTS & 4 SPTS.



4x HD-SDI or 4x HDMI (or 2x2)
ASI & IP TS outputs

Technical Data:

Video Encoding	MPEG2 & h.264 AVC
Input	HD-SDI x 4 or HDMI x 4 or 2x2
Resolution	1920 x 1080_60P, 1920 x 1080_50P, (-for MPEG4 AVC/H.264 only) 1920 x 1080_60i, 1920 x 1080_50i, 1280 x 720_60p, 1280 x 720_50P 720 x 480_60i, 720 x 576_50i
Bit Rate	0.5...19.5Mbps for H.264 encoding 1...19.5Mbps for MPEG-2 encoding
Rate Control Mode	CBR/VBR
Chroma Sample	4:2:0
Aspect Ratio	16:9, 4:3
Audio encoding	MPEG1 Layer II, MPEG2-AAC, MPEG4-AAC, Dolby Digital AC3 (2.0)
Volume Normalization (Applicable for DD AC3 encoding only)	-31 ... -1 dB
Sample rate	48KHz
System	
Bit rates	64kbps, 96kbps, 128kbps, 192kbps, 256kbps, 320kbps
Local interface	LCD + Keypad
Remote management	Web Interface
Low Latency Mode	Normal, mode 1, mode 2
Output	2 x ASI out (BNC type)
	IP (1 MPTS & 4 SPTS) over UDP, RTP (RJ45, 1000/100/10BaseT)
NMS interface	RJ45, 100BaseT
Power	AC 100V...240V, 45W
Dimensions	482 x 400 x 44mm
Weight	4.5 kg
Operation temperature	0...45°C

Corresponding Headend-Products:

DVB-C QAM-Modulators: HDC-5004/5016 (4 or 16 DVB-C channels), BSS-Platform (QAM Modules)

DVB-S2/T2 Modulators: HDM-Series

IPTV distribution in corporate/broadcast or even Hospitality Networks (STB based or directly to TV's)