

MPEG2 & h.264 AVC Broadcast Encoder



*HD-SDI, HDMI, CVBS, PbPr, XLR inputs
ASI & IP TS outputs*

Features:

- MPEG-2 HD/SD and MPEG-4 AVC/H.264 HD/SD video encoding
- 1080I, 720P, 480I, 576I video resolution and downscale transform
- Low latency
- MPEG1 Layer II, HE-AAC (v1 & v2), LC-AAC and DD AC3 audio encoding and adjustment
- Dolby Digital AC3 audio pass through (for SDI in)
- Additional 4 stereo or 8 mono audio encoding
- Video buffer, selectable Video sources (all video interfaces available in parallel Inputs)
- Support TT/CC (closed caption-US norm), EIA 608 and EIA 708 (for CVBS and SDI in)
- Dual parallel ASI output and IP over UDP and RTP
- LCD / Keypad control and Web based management by RJ45 Ethernet port
- AD-Insertion: QR code, LOGO, OSD-text

MPEG-2/H.264 SD/HD Encoder is a broadcasting audio & video encoding device with powerful functionality.

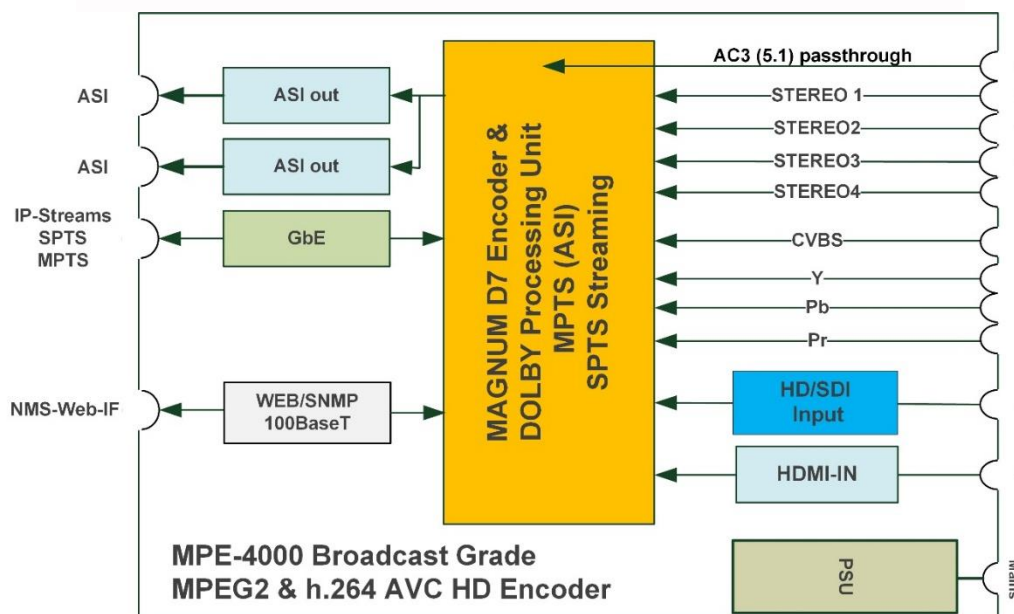
Equipped with multiple and therefore flexible Video input interfaces (SDI, CVBS, YPbPr and HDMI) and Audio input interfaces (AES, RCA and XLR) to be compatible with different signal sources.

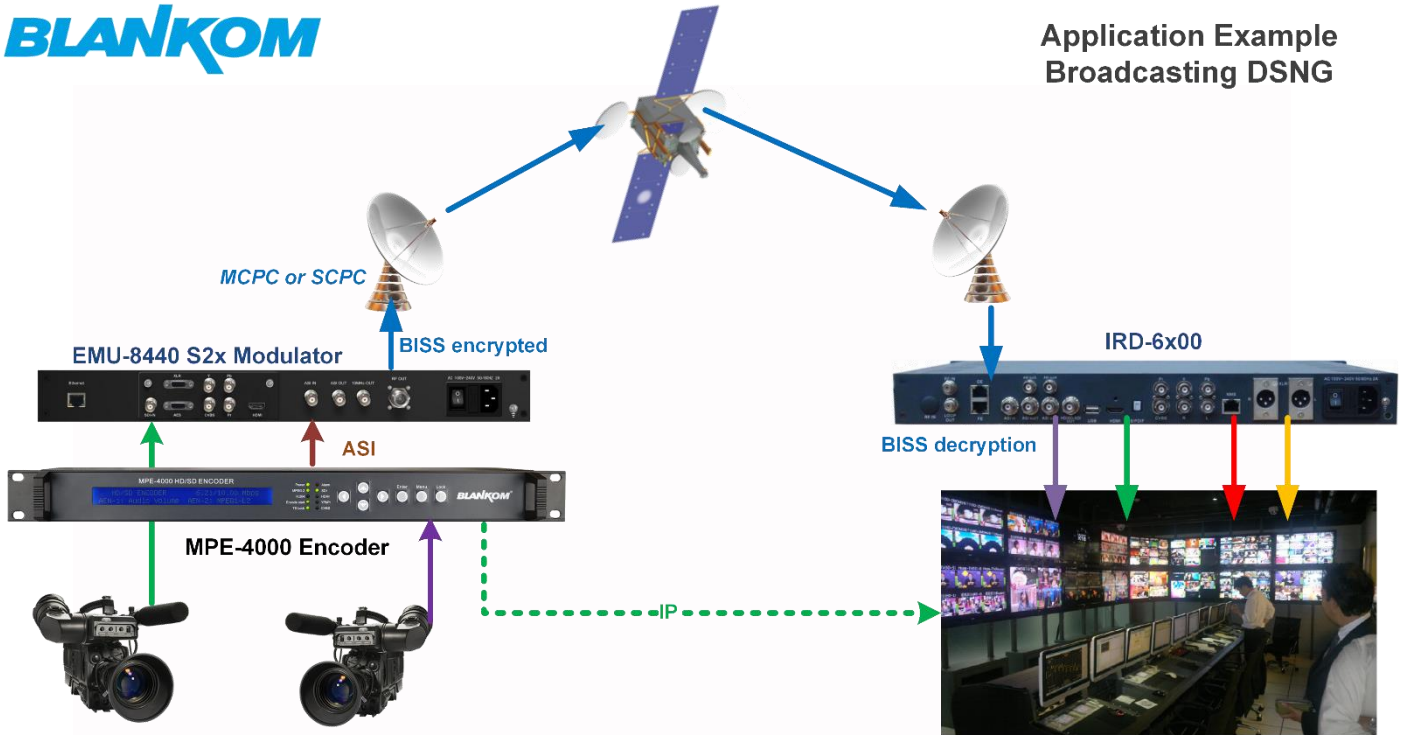
Multiple audio and video encoding formats are available to meet your flexible and various requirements.

4 stereo (8 mono) or one DD 5.1 (AC3) audio signals can be embedded to the stream output.

The encoded program will finally output in a DVB conform TS through 2 ASI and 1 IP port.

The MPE-4000 has an overlay insertion feature: QR code, LOGO and OSD-TEXT with 3 parallel overlay operations at the same time. You can insert an advertisement picture, own LOGO, special QR code and/or OSD text content on top of the encoding process.





Technical Data:

Video	Interface	1×SDI, 1×CVBS, 1×YPbPr and 1×HDMI			
	Resolution	Input	Output		Interfaces
		1920×1080i@60	1920×1080, 1440×1080, 1280×1080i, 960×1080i		HDMI, SDI, YPbPr
		1920×1080i @59.94			
		1920×1080i @50			
		1280×720p@60	1280×720, 960×720p, 640×720p		HDMI, SDI, YPbPr
		1280×720p@59.94			
		1280×720p@50			
720×576i@50	720×576, 704×576, 640×576, 544×576, 528×576, 480×576, 352×576			SDI, CVBS	
720×480i@59.94	720×480, 704×480, 640×480, 544×480, 528×480, 352×480			SDI, CVBS	
Encoding	MPEG-2 HD/SD; MPEG-4 AVC/H.264 HD/SD	Bitrate Range	0.52 – 60.00 Mbps		
Rate Control	CBR (Encoding)	GOP Structure	Auto, IP, IPB, IPBB, IPBBB		
Aspect Ratio	4:3, 14:9 (for SD video), 16:9 (for HD video)	Chroma	4:2:0, 4:2:2		
Advanced Pretreatment	De-interlacing, noise reduction, sharpening				
Audio	Interface	4×XLR, 4×RCA, 1×AES, 1×HDMI, 1×SDI (maximum 4 stereos synchronous processing or one DD 5.1 CH processing)			
	Encoding	MPEG-1 Layer II, HE-AAC (v1&v2), LC-AAC, DD AC3 (2.0, 5.1 available); DD AC3 pass-through (for SDI in)			
	Sampling rate	48KHz	Resolution	24-bit	
	Bit-rate	32Kbps...384Kbps			
Low Latency options	150ms, 200ms, 350ms, 650ms depending on Resolution and S-Rates				
Stream output	2×ASI output ports, BNC interface, IP over UDP and RTP, 100 Base-T Ethernet interface (UDP multicast/unicast)				
System function	LCD/Keypad and web management, Language: English, Ethernet based software updates				
General	Dimensions	482mm × 405mm × 44.5mm (W × D × H)			
	Weight	Approx. 4.0 Kg			
	Temperature	0...45°C(Operation), -20...8°C(Storage)			
	Power	AC110V ±10%, 50/60Hz; AC 220V ±10%, 50/60Hz			
	Consumption	21W			

Contact: IRENIS GmbH – Hauptstr. 29 - D-31171 Nordstemmen / Germany - info@blankom.de - www.blankom.de
Managing Director: Dipl.Ing. Murad Önal **Commercial Register:** HRB 206370 - District Court Hildesheim
Irenis-Direct Phone: +49 5069 48097 81 **Technical Hotline:** +49 5069 4399 -8601