

DVB IP/ASI -> SDI Decoder with 2,4,6 ports



Picture with 1 Module installed = IGS-2000

- 2x IP input and 1 IP output
- 2x Bi-directional ASI ports with input or output mode selectable
- 2x HD/SD-SDI decoding output with 2 stereo Audio's embedded in each port
- MPEG-2 and MPEG-4 AVC/H.264 Video Decoding
- MPEG1 Layer2, LC-AAC, HE-AAC, AC3 (2.0/5.1), AC3 Pass-through for Audio
- CC/Subtitle support
- Easy management with Web-Interface
- Embedded Re-multiplexer

BLANKOM IGS is a professional Integrated DVB-Decoder for broadcasters with dual ASI and GigE IP inputs. Output is HD-SDI with max. 2 Stereo pairs (AC3 passing supported) each SDI and ASI as well as IP multiplexed

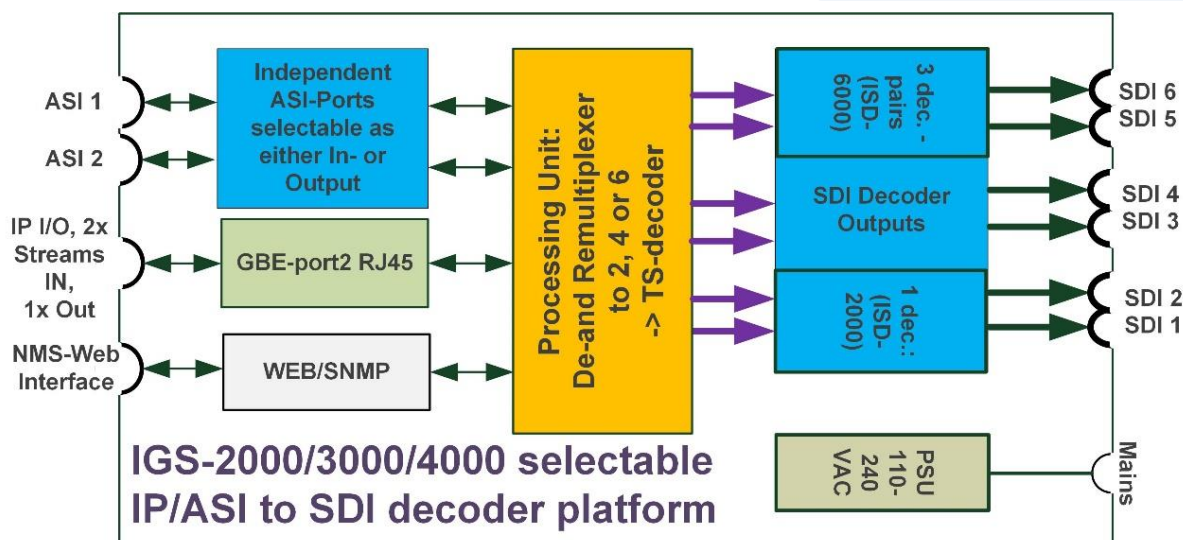
The BLANKOM IGS (Integrated SDI- Decoder) is a designed broadcast grade companion unit for MPE-4400 Encoder (H= HDMI, S=SDI versions)

After de-multiplexing and decoded, the content output can be re-passed to ASI, IP as Multiplex.

Its outputs support professional HD/SD-SDI, 2x Stereo Audio embedded for professional needs.

Operation by using the inbuilt comfortable Web-Interface.

Available with 2, 4 or 6 SDI ports



Technical specs IGS-2000 (add 2 decoder for 4000 & 2 more for 6000):

INPUT	2 IP (MPTS/SPTS, 100M/1000Mbps Ethernet, RJ45, UDP protocol, Unicast/multicast)
	Max.2x ASI selectable as either In- or Out, BNC 75Ω
DECODING	480i,480p,576i,576p,720p@50/59.94/60, 1080i@50/59.94/60
Video	HD/SD MPEG-2 and MPEG4 AVC/H.264
Audio	dual stereo audios embedded in each port with MPEG1 Layer2, LC-AAC, HE-AAC, AC3 (2.0/5.1), AC3 Pass-through
CONTROL PORT	Ethernet Port 100BaseT RJ45
OUTPUT	0...2x ASI as In- or Output on BNC interfaces selectable
Video	2x HD/SD-SDI (BNC) (4 / 6 for 4000/6000 Model)
IP-Out on GbE	1 (2,3) x MPTS outputs per module on GbE RJ45 interface (UDP multicast)
SYSTEM Control	Management: Network (NMS); Web-based Management Ethernet port for CPU/FPGA firmware upgrade
Dimensions	328 mm×482 mm×45mm , 19" 1RU, 2,5 kg
Power	AC 50Hz 220V±10%, Consumption: < 25 W
Temperature	0...45°C (operation), -20...80°C (storage)

Application example:

