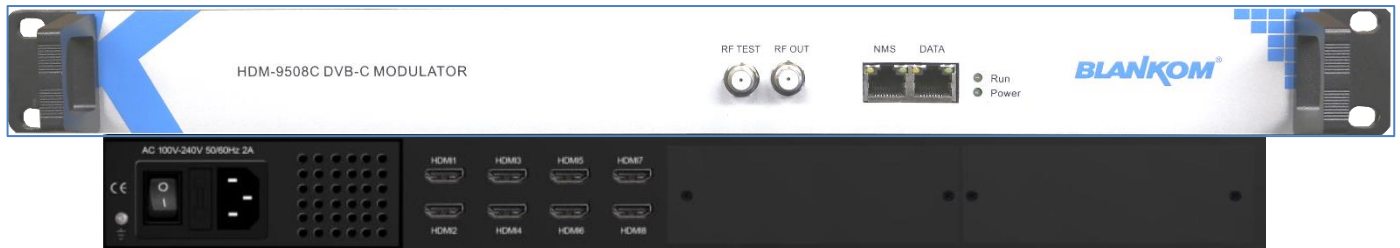


Encoder-Modulator



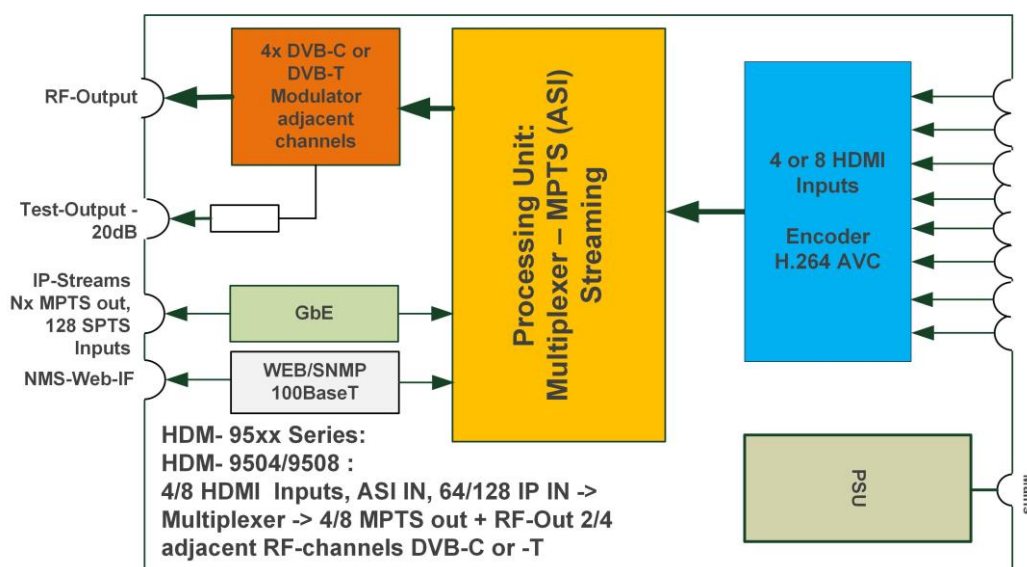
HDM-9504, HDM9508 with C/T, 4 / 8 HDMI Inputs with 2/4 DVB-C or -T output

- MPEG4 AVC/H.264 HD/SD encoding
- 4 or 8 HDMI inputs with AVC/H.264 Encoding
- MPEG-1 Layer 2, LC-AAC, HE-AAC and AC3 Pass through
- RF Out: 4(T/C) or 2(T/C) Channels /Bouquets multiplexing DVB-C or -T modulating RF outputs – adjacent
- -20dB Test-Output port
- 1 ASI IN and 64/128 SPTS Inputs to select and mux into the output channels
- Nx MPTS IP parallel output over UDP, RTP/RTSP
- PID remapping/ accurate PCR adjusting/PSI/SI editing and inserting
- DVB-C/DVB-T/ATSC-T/ISDB-T RF out selectable (from factory) -> So always use proper character when ordering: C/T/I/A
- Web based management
- Logo / Text Overlay insertions

6th Generation BLANKOM® IPTV Headend Technology

Broadcast grade, high performance MPEG4 HD Encoder Modulator (4 or 8 HDMI to RF output). The HDM-95xy C/T series products are BLANKOM's new breakthrough all-in-one device, which integrate encoding (SD/HD MPEG-4/AVC H.264) and modulating to convert HDMI signals into DVB-C/DVB-T/ATSC-T/ISDB-Tb RF output.

The HDM-95xy C/T HD encoder modulator is a professional high integration device which includes encoding, multiplexing and modulating. It supports 4 or 8 HDMI inputs, ASI and maximum 64 or 128 IP input through the GBE port. It modulates DVB-C RF out with 2/4 adjacent carriers. The modulator type can be chosen from factory by ordering C or T version (Or A = ATSC or I = ISDB-T upon request)



Ordering Info's: C= DVB-C, T = DVB-T output, I=ISDB-Tb and A=ATSC optional upon request. E.g.: HDM-9504C= 4x HDMI IN + DVB-C OUT, HDM-9508T = 8x HDMI IN + DVB-T OUT

TECHNICAL SPECIFICATIONS

Input	4/8 HDMI inputs; 64/128 IP inputs			
Video	Encoding	MPEG-4 AVC/H.264		
	Resolution	Input	1920×1080p60, 1920×1080i60, 1920×1080p50, 1920×1080i50, 1280×720p60, 1280×720p50, 720×576i50, 720×480i60,	
		Output	1920×1080p30, 1920×1080p25, 1280×720p30, 1280×720p25, 720×576p25, 720×480p30,	
	Bit-rate	1Mbps...13Mbps each channel		
	Rate Control	CBR/VBR		
Audio	Encoding	MPEG-1 Layer 2, LC-AAC, HE-AAC and AC3 Pass-Through		
	Sampling rate	48KHz		
	Resolution	24bit		
	Audio Gain	0...255 Adjustable		
	MPEG-1 Layer 2 bitrate	48/56/64/80/96/112/128/160/192/224/256/320/384 kbps		
	LC-AAC bit-rate	48/56/64/80/96/112/128/160/192/224/256/320/384 kbps		
	HE-AAC bit-rate	48/56/64/80/96/112/128 kbps		
Multiplexing	Maximum PID Remapping	180 inputs per channel		
	Function	PID remapping (automatic or manually) Generating of PSI/ SI tables automatically		
Modulation	DVB-C	RF out	2/4 x RF DVB-C out (2/4 carriers on combined IN -> Output)	
		Standard	EN300429/ITU-TJ.83A/B: DVB-C Annex A/B	
		MER	≥40dB	
		RF frequency	50...960MHz, 1KHz step	
		RF output level	-25...-1dBm (82...105 dBμV), 0.1dBm	
		Symbol Rate	5.0Msps...7.0Msps, 1ksps stepping	
			J.83A	J.83B (US)
	Constellation	16/32/64/128/256QAM	64/256 QAM	
	Bandwidth	8MHz	6M	
	DVB-T	Standard	EN300744	
		FFT mode	2K	
		Bandwidth	6MHz, 7MHz, 8MHz	
		Constellation	QPSK, 16QAM, 64QAM	
		Guard Interval	1/4, 1/8, 1/16, 1/32	
		FEC	1/2, 2/3, 3/4, 5/6, 7/8	
MER		≥42 dB		
RF frequency		50...960 MHz, 1KHz steps		
RF out level	2/4xRF COFDM DVB-T out (2/4 carriers combined output) -28... -3 dBm (77...97 dBμV), 0.1dB step			
Output	RF output	(F male) 75 Ohm		
	Stream output	2/4 IP MPTS outputs over UDP/RTP/RTSP, 1x1000M Base-T Ethernet interface		
System	English	Network management (WEB-GUI), Software upgrade via Ethernet		
Misc	Dimensions	(W×L×H) 482mm×328mm×44mm		
	Environment	0...45°C(working) ; -20...80°C (Storage)		
	Power	AC 110V± 10%, 50/60Hz, AC 220 ±10%,50/60Hz		